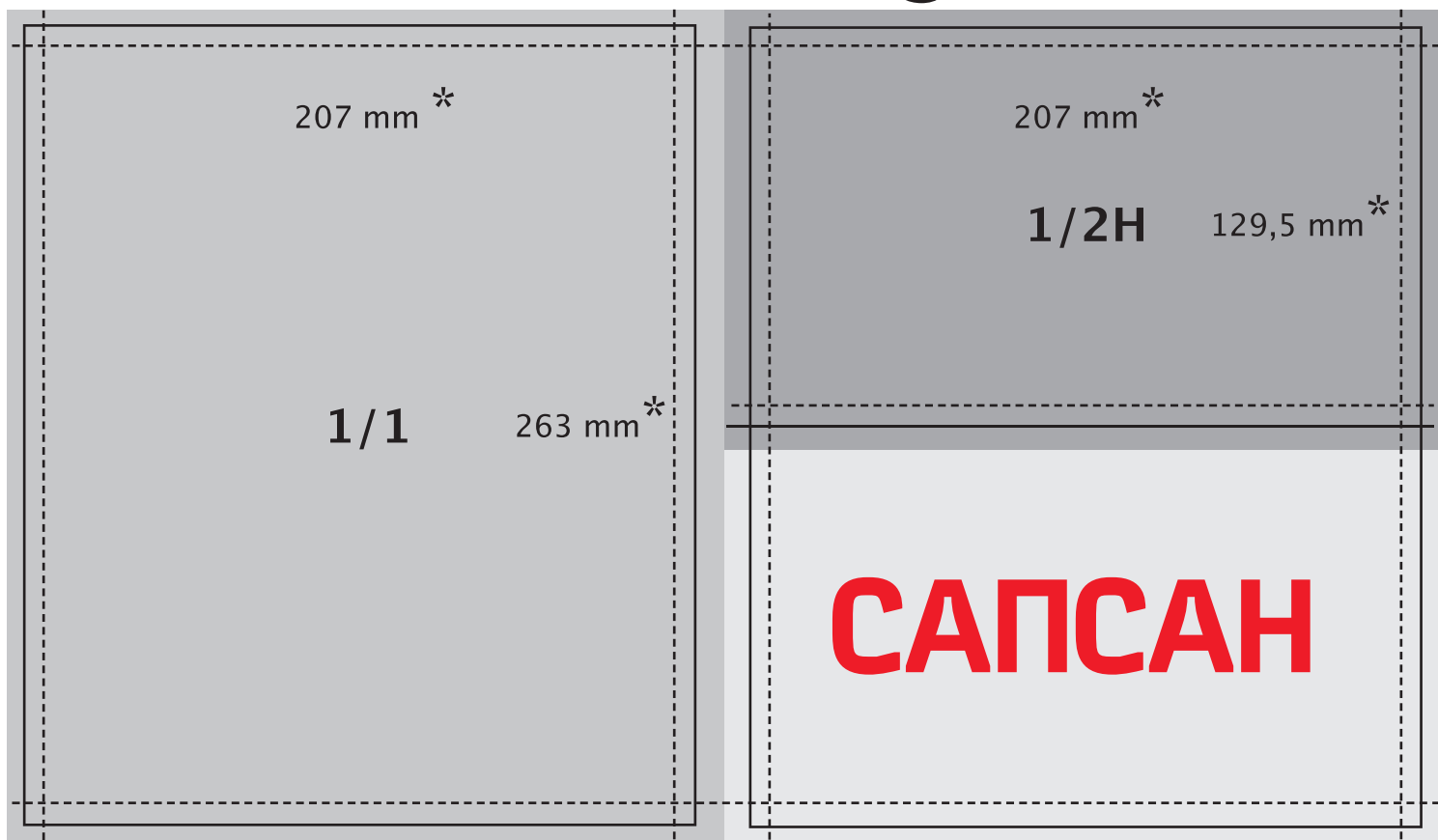
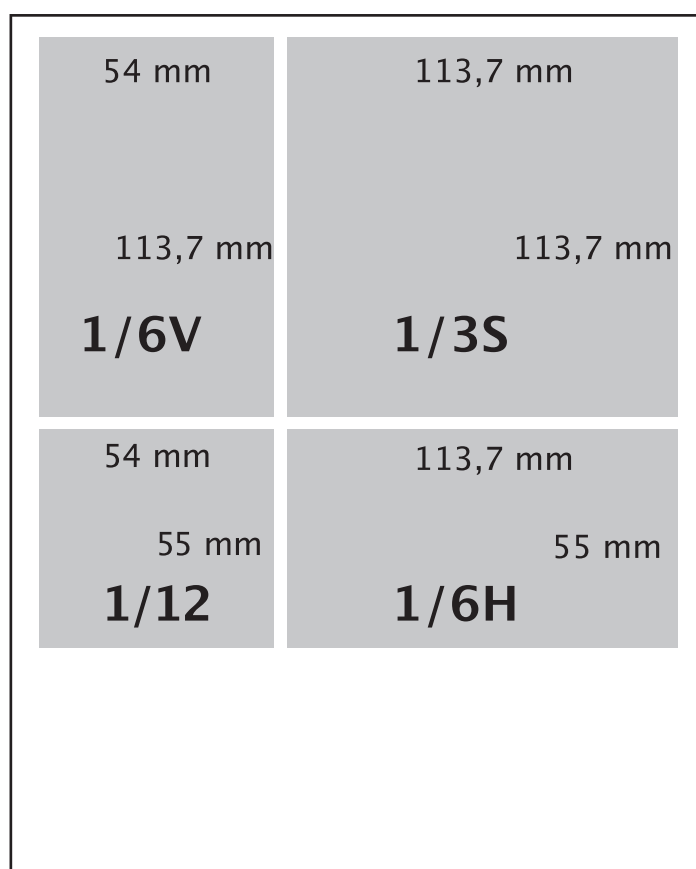
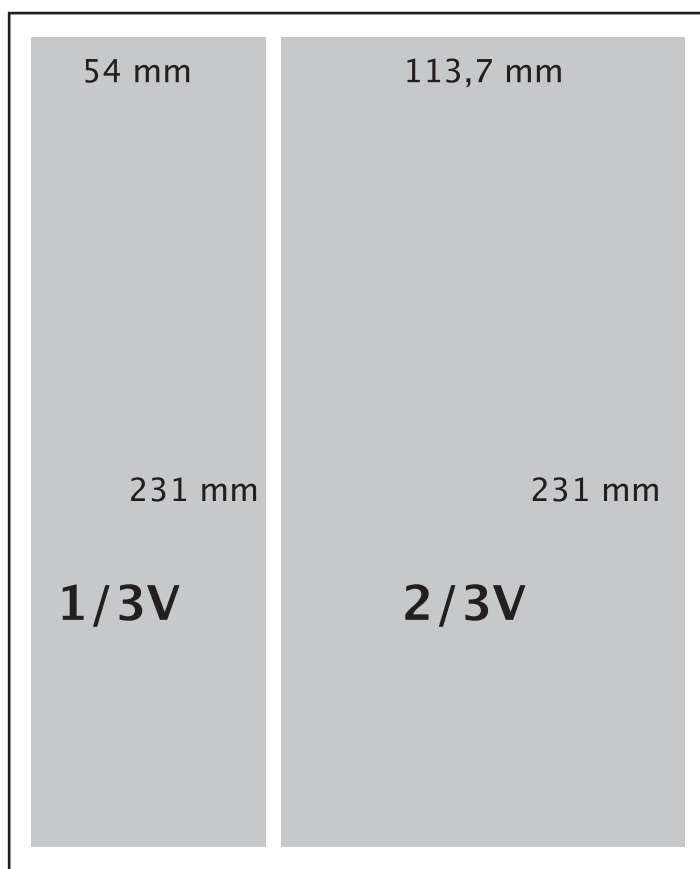


# Size of advertising modules



Size double-page spread (2/1) - 414 mm x 263 mm \*

Size short cut double-page spread (2/1s) - 404 mm x 263 mm \*\*



\* Trim size. In preparation of the layout necessary to add on all sides 5 mm. Important informative elements (text, logo) must be located not less than 10 mm from the edge of the bleed format.

\*\* This ad module appears only on the 1st (2nd cover – page 1) or last (last page – 3rd cover) spread. See also comment\*